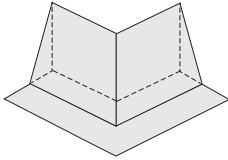


METZ EaZi-Fit Design Sheets Standards 1 - 3

EZ External Corner

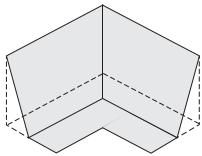
EZ External Corner



Standard PFU's shown -
Please contact Miers
Technical for Specials

EZ Internal Corner

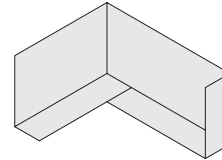
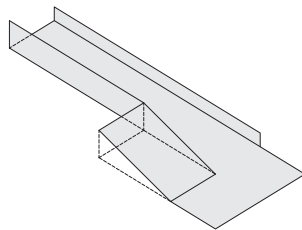
EZ Internal Corner



EZ Adjustable Reveal Floating Stop End and

EZ Adjustable Reveal

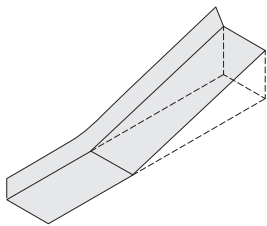
EZ Floating Stop End



METZ EaZi-Fit Design Sheets Specials 4 - 8

EZ Stop End Corner

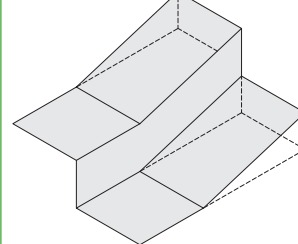
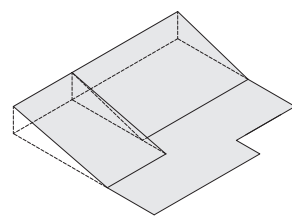
EZ Stop End



EZ Step On Plan and Step On Elevation

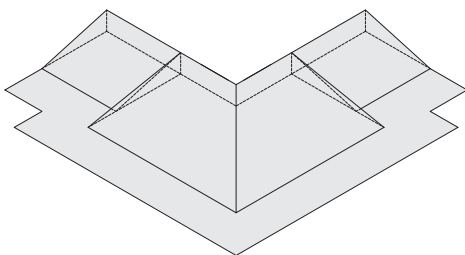
EZ Step On Plan

EZ Step On Elevation



EZ Pier Corner

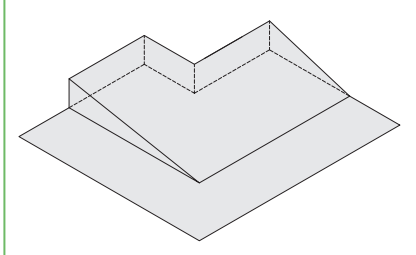
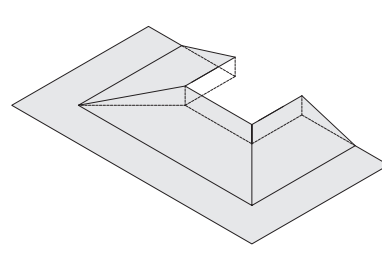
EZ Pier Corner



EZ Column End Pier and Column Projection & Reveal

EZ Column End Pier

EZ Column Projection and Reveal



Email:

sales@miersconstructionproducts.co.uk

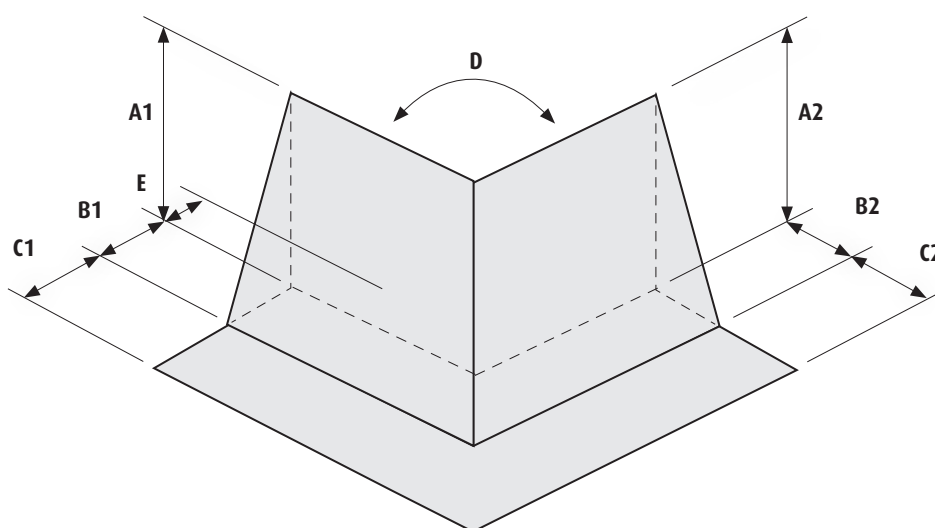
METZ EaZi-Fit Cavity Tray

Design Sheet: EZ External Corner

To place an order for METZ EZ Non-Combustible External Corner please fill out the form below.

Customer Name		Date	Project Name
Site address			
Post Code	Tel	Fax	Email

External Corner



External Corner		
Location Reference		
		(Complete if different)
A - Rise	A1 =	A2 =
B - Cavity	B1 =	B2 =
C - Outer	C1 =	C2 =
D - Corner Angle	D =	
E - Tray to structure	E =	
Quantity as drawn		
Quantity handed		

Additional / bespoke features can be incorporated, if required please indicate:

- Stop Ends
- Specific Leg Length(s)

Please note External Corners are made to order and are non-returnable

Signed		Print Name
Position		Date

Email: sales@miersconstructionproducts.co.uk

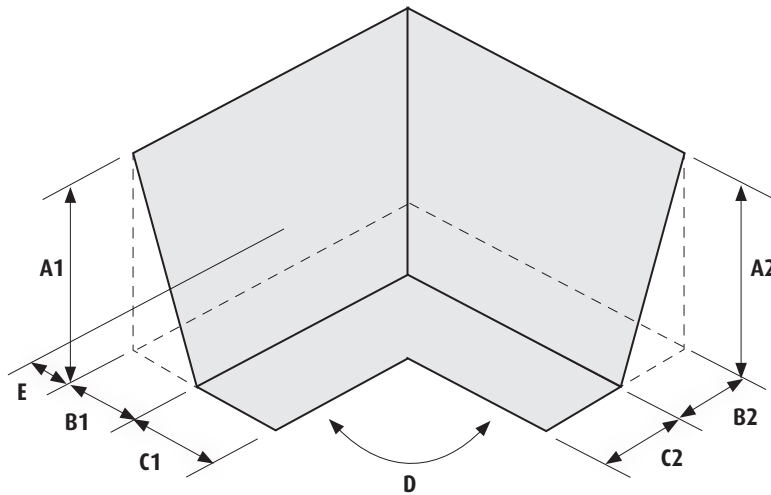
METZ EaZi-Fit Cavity Tray

Design Sheet: EZ Internal Corner

To place an order for METZ EZ Non-Combustible Internal Corner please fill out the form below.

Customer Name		Date	Project Name
Site address			
Post Code	Tel	Fax	Email

Internal Corner



Internal Corner		
Location Reference		
		(Complete if different)
A - Rise	A1 =	A2 =
B - Cavity	B1 =	B2 =
C - Outer	C1 =	C2 =
D - Corner Angle	D =	
E - Tray to structure	E =	
Quantity as drawn		
Quantity handed		

Additional / bespoke features can be incorporated, if required please indicate:

- Stop Ends
- Specific Leg Length(s)

Please note Internal Corners are made to order and are non-returnable

Signed		Print Name
Position		Date

Email: sales@miersconstructionproducts.co.uk

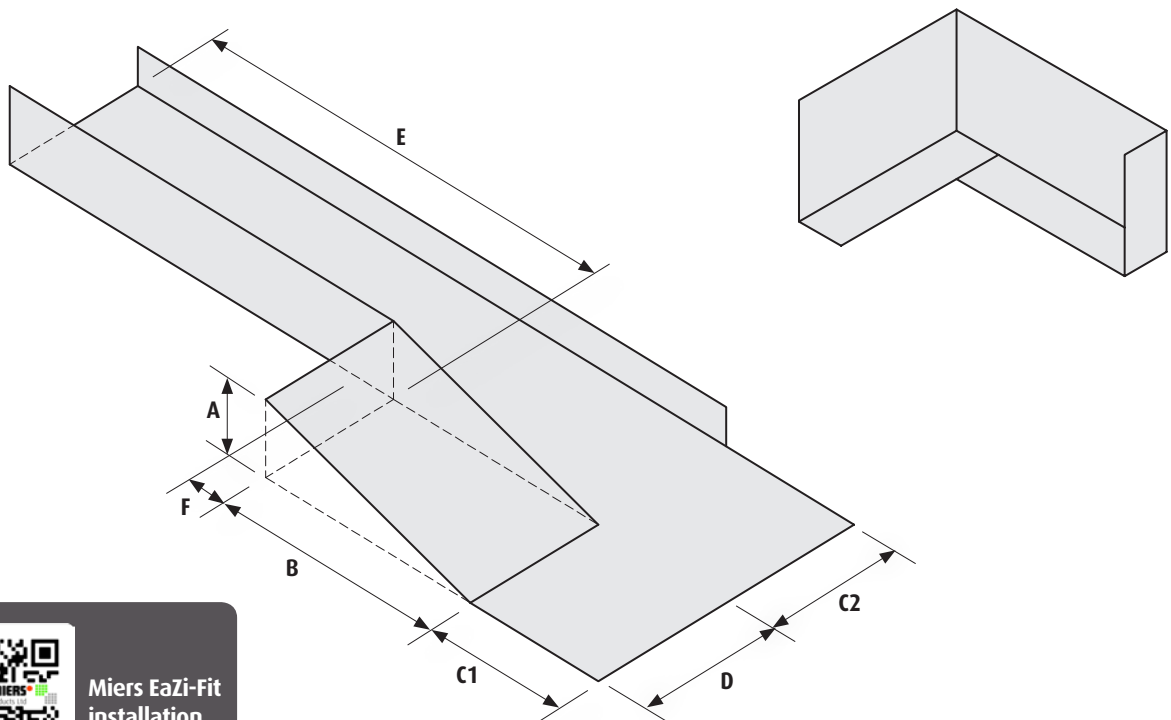
METZ EaZi-Fit Cavity Tray

Design Sheet: Adjustable Reveal

To place an order for METZ EZ Non-Combustible Adjustable Reveal please fill out the form below.

Customer Name		Date	Project Name
Site address			
Post Code	Tel	Fax	Email

Adjustable Reveal



Adjustable Reveal		
Location Reference		
A - Rise		
B - Cavity		
C - Outer	C1 =	C2 =
D		
E		
F - Tray to structure		
Quantity as drawn		
Quantity handed		

Additional / bespoke features can be incorporated, if required please indicate:

- Stop Ends
- Specific Leg Length(s)

Please note Adjustable Reveals are made to order and are non-returnable

Signed		Print Name
Position		Date

Email: sales@miersconstructionproducts.co.uk

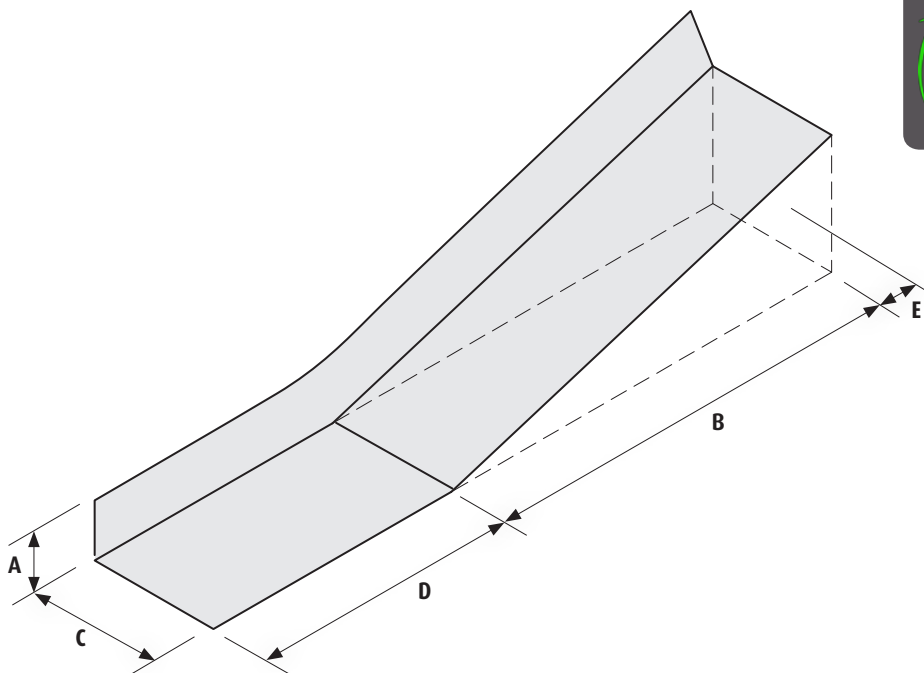
METZ EaZi-Fit Cavity Tray

Design Sheet: EZ Stop End

To place an order for METZ EZ Non-Combustible Stop End please fill out the form below.

Customer Name		Date	Project Name	
Site address				
Post Code	Tel	Fax	Email	

Stop End



Stop End	
Location Reference	
(Complete if different)	
A - Rise	
B - Cavity	
C - Outer	
D	
E - Tray to structure	
Quantity as drawn	
Quantity handed	

Additional / bespoke features can be incorporated, if required please indicate:

- Stop Ends
- Specific Leg Length(s)

Please note Stop Ends are made to order and are non-returnable

Signed		Print Name
Position		Date

Email: sales@miersconstructionproducts.co.uk

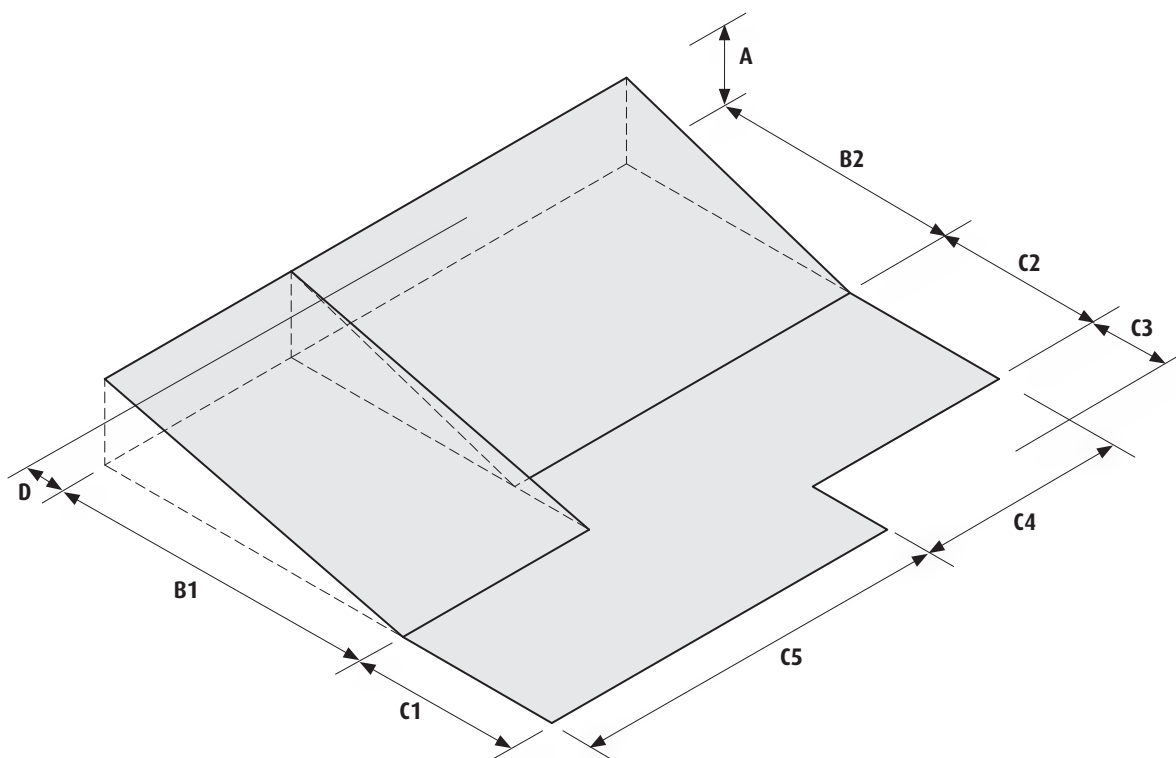
METZ EaZi-Fit Cavity Tray

Design Sheet: EZ Stop End Plan

To place an order for METZ EZ Non-Combustible Stop End Plan please fill out the form below.

Customer Name		Date	Project Name
Site address			
Post Code	Tel	Fax	Email

Stop End Plan



Stop End Plan

Location Reference

A - Rise		
B - Cavity	B1 =	B2 =
C - Outer	C1 =	C2 =
	C3 =	C4 =
	C5 =	
D - Tray to structure		
Quantity as drawn		
Quantity handed		

Additional / bespoke features can be incorporated, if required please indicate:

- Stop Ends
- Specific Leg Length(s)

Please note Stop End Plans are made to order and are non-returnable

Signed		Print Name
Position		Date

Email: sales@miersconstructionproducts.co.uk

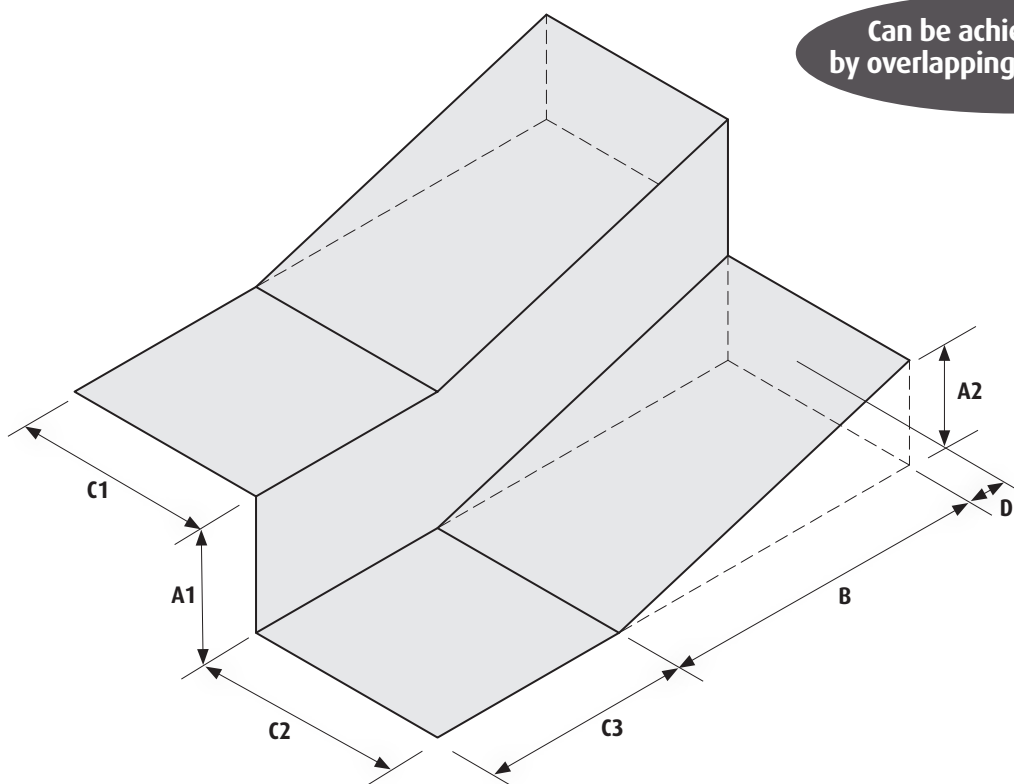
METZ EaZi-Fit Cavity Tray

Design Sheet: EZ Step On Elevation

To place an order for METZ EZ Non-Combustible Step On Elevation please fill out the form below.

Customer Name		Date	Project Name	
Site address				
Post Code	Tel	Fax	Email	

Step On Elevation



Step On Elevation		
Location Reference		
(Complete if different)		
A - Rise	A1 =	A2 =
B - Cavity		
C - Outer	C1 =	C2 =
	C3 =	
D - Tray to structure		
Quantity as drawn		
Quantity handed		

Additional / bespoke features can be incorporated, if required please indicate:

- Stop Ends
- Specific Leg Length(s)

Please note Step On Elevations are made to order and are non-returnable

Signed		Print Name
Position		Date

Email: sales@miersconstructionproducts.co.uk

METZ EaZi-Fit Cavity Tray

Design Sheet: EZ Pier Corner

To place an order for METZ EZ Non-Combustible Pier Corner please fill out the form below.

Customer Name		Date	Project Name
Site address			
Post Code	Tel	Fax	Email

Pier Corner		
Pier Corner		
Location Reference		
(Complete if different)		
A - Rise	A =	
B - Cavity	B1 =	B2 =
C - Outer	C1 =	C2 =
D	D1 =	D2 =
E	E1 =	E2 =
F	F1 =	F2 =
G - Tray to structure		
Quantity as drawn		
Quantity handed		
<p>Additional / bespoke features can be incorporated, if required please indicate:</p> <ul style="list-style-type: none"> • Stop Ends • Specific Leg Length(s) 		

Please note Pier Corners are made to order and are non-returnable		
Signed		Print Name
Position		Date

Email: sales@miersconstructionproducts.co.uk

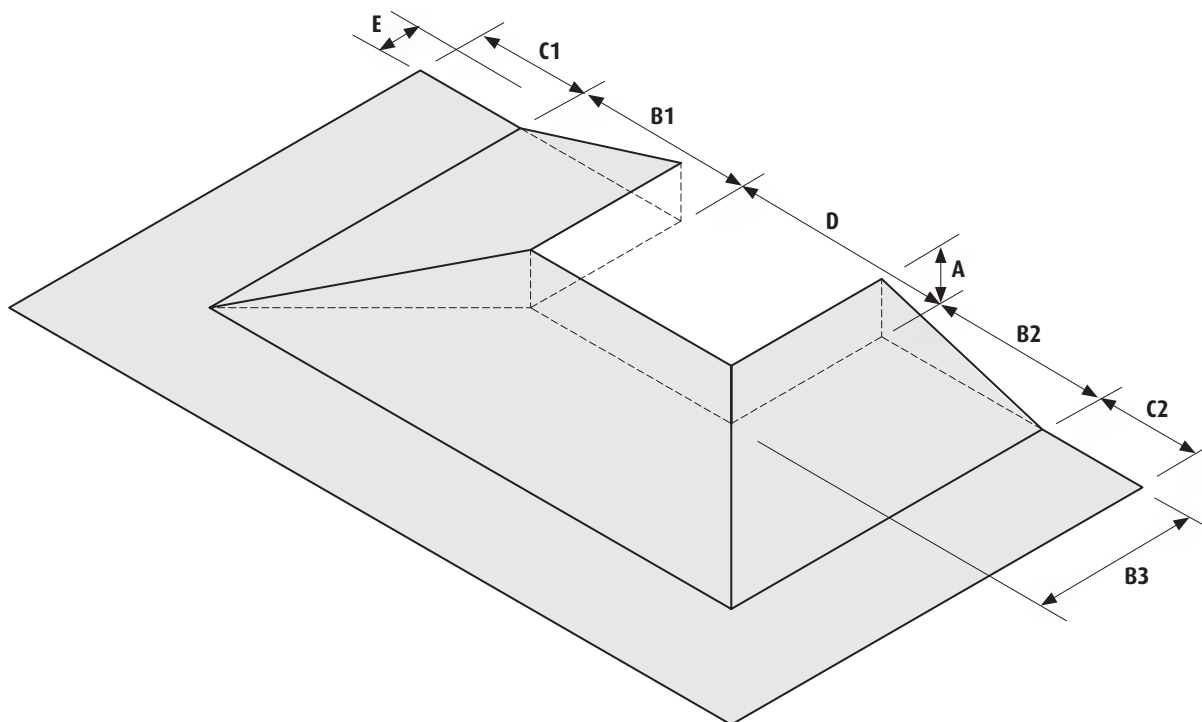
METZ EaZi-Fit Cavity Tray

Design Sheet: EZ Column End Pier

To place an order for METZ EZ Non-Combustible Column End Pier please fill out the form below.

Customer Name		Date	Project Name
Site address			
Post Code	Tel	Fax	Email

Column End Pier



Column End Pier		
Location Reference		
A - Rise		
B - Cavity	B1 =	B2 =
	B3 =	
C - Outer	C1 =	C2 =
D		
E - Tray to structure		
Quantity as drawn		
Quantity handed		

Additional / bespoke features can be incorporated, if required please indicate:

- Stop Ends
- Specific Leg Length(s)

Please note Column End Piers are made to order and are non-returnable

Signed		Print Name
Position		Date

Email: sales@miersconstructionproducts.co.uk

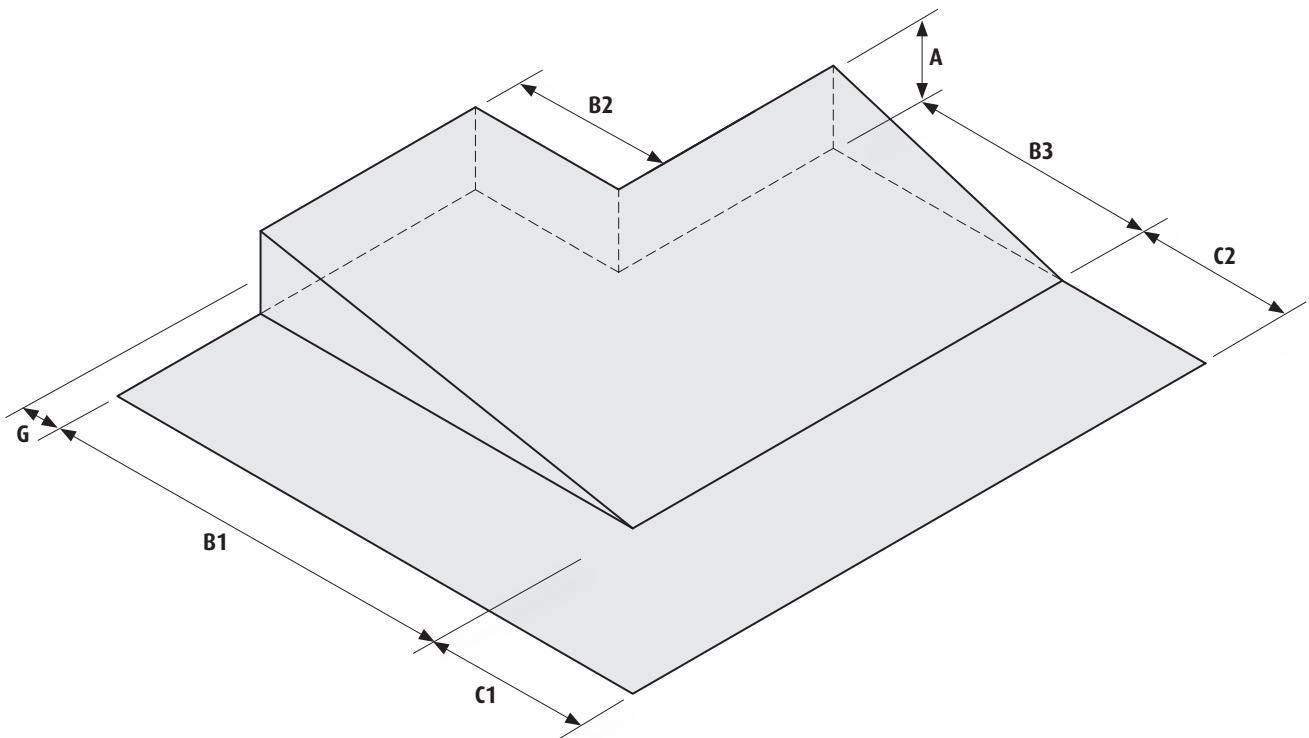
METZ EaZi-Fit Cavity Tray

Design Sheet: EZ Column Projection & Reveal

To place an order for METZ EZ Non-Combustible Column Projection & Reveal please fill out the form below.

Customer Name		Date	Project Name
Site address			
Post Code	Tel	Fax	Email

Column Projection & Reveal



Column Projection & Reveal		
Location Reference		
A - Rise		
B - Cavity	B1 =	B2 =
	B3 =	
C - Outer	C1 =	C2 =
G - Tray to structure		
Quantity as drawn		
Quantity handed		

Additional / bespoke features can be incorporated, if required please indicate:

- Stop Ends
- Specific Leg Length(s)

Please note Column Projection & Reveals are made to order and are non-returnable

Signed		Print Name
Position		Date

Email: sales@miersconstructionproducts.co.uk